

## **INSTALLATION INSTRUCTIONS RS-232 CARDS IN MRC-1600/1620**

### MRC-1620

Refer to installation section of DSP-6000 manual, Page 2-20 for RS-232 switch settings.

### MRC-1600

1. Remove existing communication cards (subcarrier or telco).
2. Replace with RS-232 cards.
3. Make sure S1 and S2 are set properly for ½ duplex operation as follows:

Unit at studio:

- a. All positions on S1: OFF.
- b. S-2 Position 1, 2, and 7: ON.  
S-2 position 3, 4, 5 and 6: OFF.

Unit at TX:

- c. All positions on S2: OFF.
- d. S1 Position 1, 2, 3 and 7: ON.  
S1 Position 4, 5, and 6: OFF.

See enclosed drawings: 91C7486  
20C3074

Refer to installation section of DSP-6000 manual, page 2-21 for interconnect cabling instructions.

Note: Make sure that all DSP switches are in the correct positions for the data rate of the remote control. If switches have been reset with the power on, reset buttons on the Encoder and Decoder must be depressed so that units are working properly. These switches are located next to the AC power input on the rear of the chassis.

## **Remote Control Communication**

Most Moseley Remote Control Systems can use the DSP 6000 to convey information from the Control to Remote Terminal or vice-versa. There are three ways to accomplish this. The following discussions assume the Remote Terminal and the DSP 6000 Decoder are at the transmitter site and the Control or Command Terminal and DSP 6000 Encoder are at the studio site.

---

## **Subcarrier Communications**

Normal STL subcarriers can be employed for some combinations of data rates and efficiencies. Please refer to *Section 2.8, Retrofit STL Installation PCL 6020/6030/6060 Receiver*, for further details.

---

## **FSK Communications**

The second method to convey remote control information is to use FSK communications (the normal TELCO MODEM for Moseley MRC and TCS series products) placed on one of the AUX channels of the DSP 6000. This of course assumes the AUX channel is installed and furthermore does not allow that AUX channel to be used for any other purpose. Be sure the TELCO port is set to 4-wire mode (if applicable). To interface the MRC (or TCS) to the DSP 6000 for FSK communications, simply connect the TELCO OUTPUT of the Control Terminal to the DSP 6000 Encoder AUX INPUT and connect the TELCO INPUT of the Remote Terminal to the DSP 6000 decoder AUX OUTPUT.

---

## **RS-232 Communications**

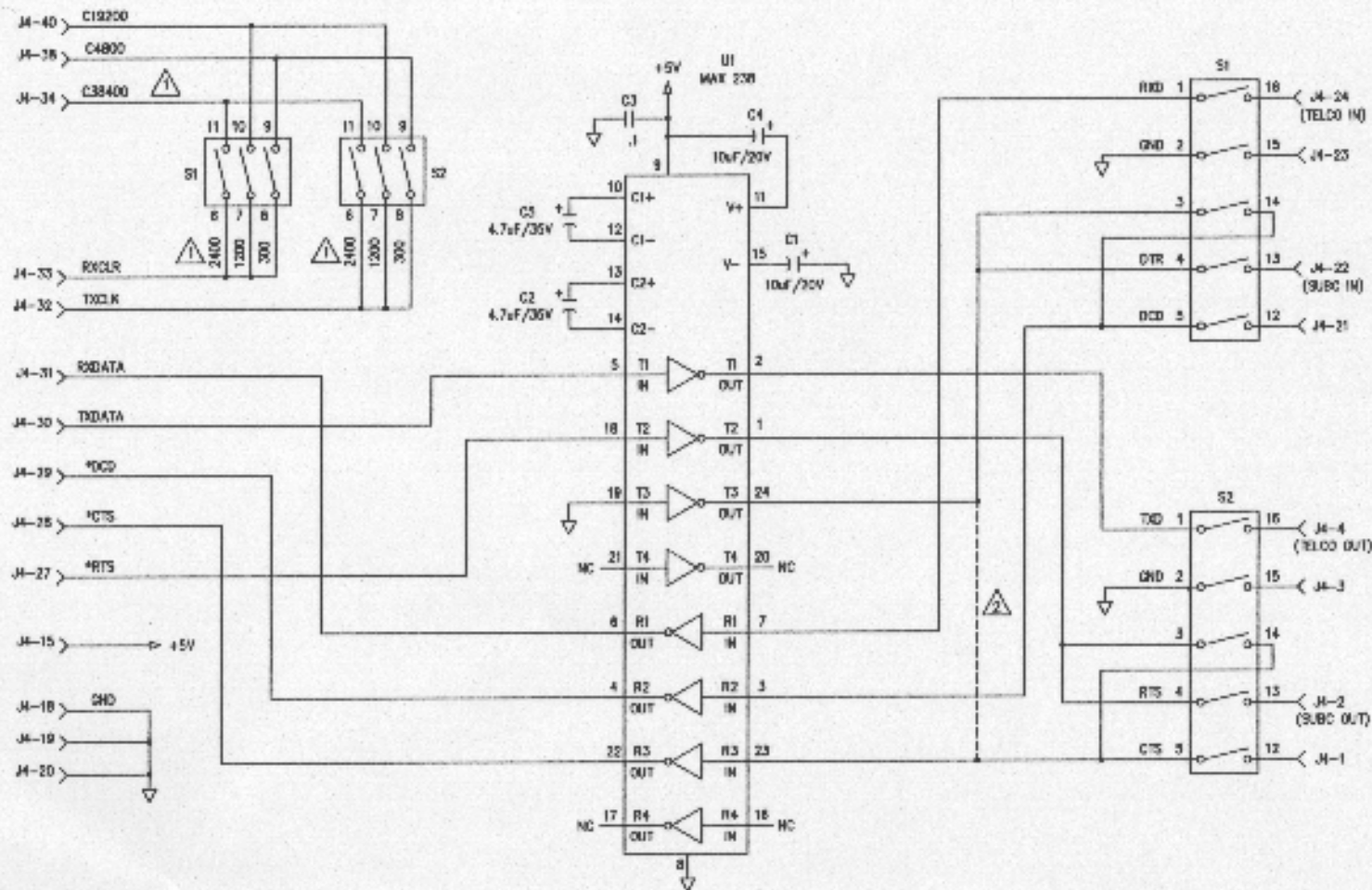
The third method to convey remote control information is to use the built-in data port(s) of the DSP 6000. Because of technology changes over the years, each system is different and must be configured differently. Be sure to match the cabling, data rates and formats with the particular system being used. The following chart may be helpful:

<b>System</b>	<b>Data Rate</b>	<b>Data Bits</b>	<b>Parity</b>	<b>Cabling</b>
MRC 1600	300	8	Even	Figure 2-11
MRC 1620	1200	8	None	Figure 2-11
MRC-1	1200	7	Even	Figure 2-13
MRC-2	1200	7	Even	Figure 2-13
MRC-2S	1200	8	None	Figure 2-13

For each of these remote control systems, the transmit port and the receive port must be one and the same. This means some unconventional hardware connections may be required.

REVISIONS			
REV	DESCRIPTION	DATE	APPROVED
1	REL FOR FLD-1	3 OCT 81	GMH
2	ADD NOTE 3, CHG NOTE 1		J.L.

AUG 29 2000



- ⚠ JUMPER REQUIRED FOR 1820 V001 OR EARLIER OR 1820.
- ⚠ REQUIRES ADDITIONAL JUMPER ON CPU BOARD: FROM 07-9 TO P4-34 (2400 SMD)

NOTES: UNLESS OTHERWISE SPECIFIED

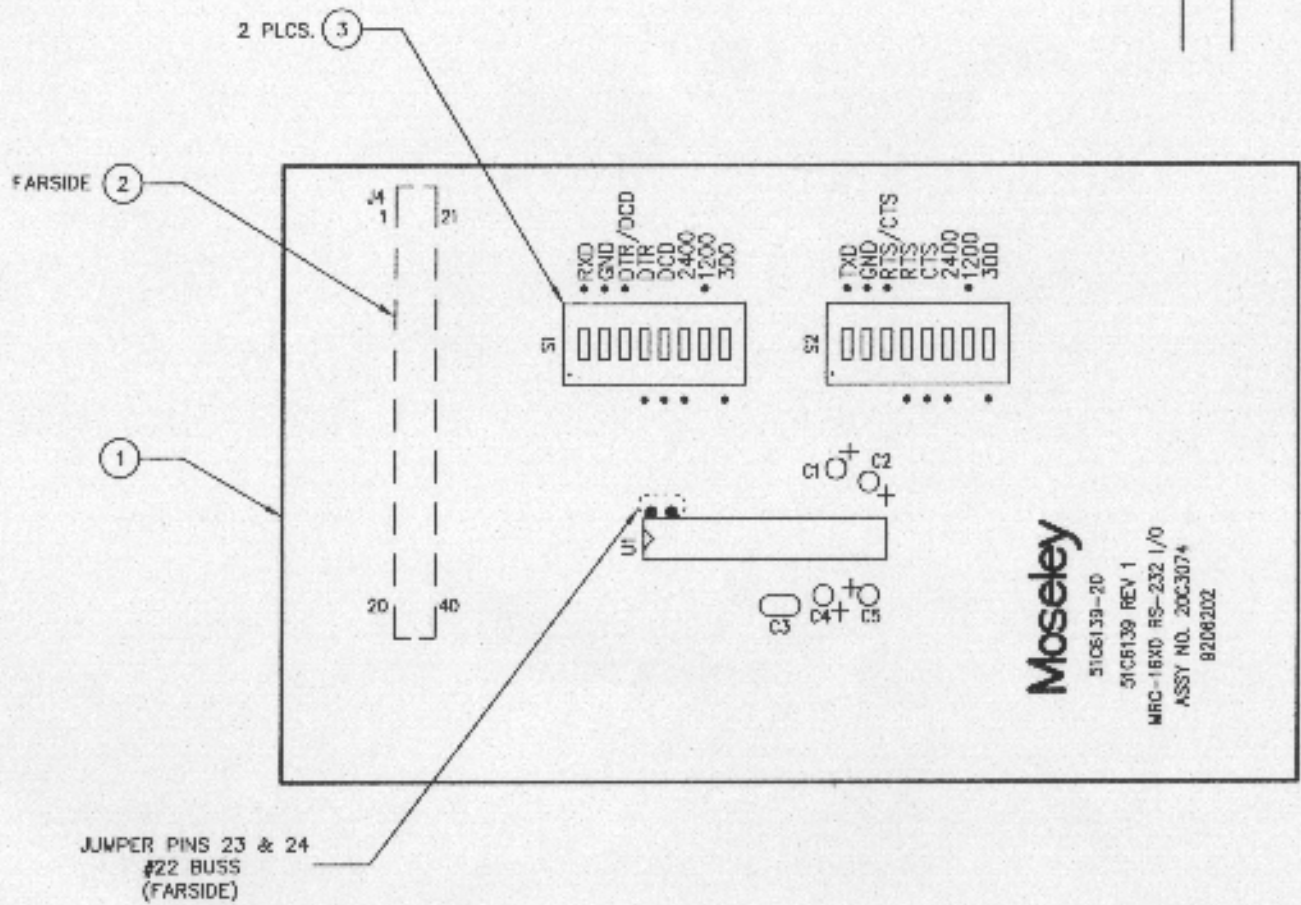
**NON-CONTROLLED**

REV	DESCRIPTION	DATE	APPROVED
1	PC BD	5/18/83	
2	ASSY	20C3074	
TOLERANCES: FRACTION ± 1/32 DECIMAL ± .030, .050 ± .015, .1 ± .01			
APPROVALS		DATE	
DESIGN	GMH	3 OCT 81	
DO NOT SCALE DWG	SCALE	1 OF 1	91B7486 2

**Moseley** 111 CASTLEMAN DR. SOLETA, CALIF 95117  
**MRC 18X0 RS-232 I/O**

AUG 29 2000

REVISIONS			
LTR	DESCRIPTION	DATE	APPROVED
1	REL TO PILOT 516139-10,-20	3 OCT 91 CAH	



NOTES: UNLESS OTHERWISE SPECIFIED

**NON-CONTROLLED**

ITEM	QTY	DESCRIPTION	PART NO.	VENDOR
ITEM NO	9208202	TOLERANCE: FRACT ± 1/32 .XX ± .030, .XXX ± .010, ≤ ± 1/2"	<b>Moseley</b>	111 CASTLIAN DR. GOLETA, CALIF 93117
PC BD	51D6139			
SCHMATIC	91C7486	APPROVALS	DATE	MRC 16X0 RS-232 I/O
SCALE	80%	DWN	CAH 3 OCT 91	
DO NOT SCALE DWG		CHK		
		ENG		SHEET 1 OF 1
				SCALE 1X
				20B3074 1